



DATA SHEET

1/9/2012

Page 1 / 3

Receiver

From

Society
Reference
Address
Telephone
Fax
E-mail

Item no. 103022584

Pump data :

Model :
NOVA 600 M-NA
Pressure rating :
Min. fluid temperature : 0 °C
Max. fluid temperature : 35 °C
Max. Temperature operating : 40 °C

Requested data :

Flow 0 m³/h
Head 0 m
Fluid : Water, pure
Fluid Temperature : 20 °C
Density : 998.3 kg/m³
Kinematic viscosity 1.005 mm²/s
Vapor pressure : 100 kPa

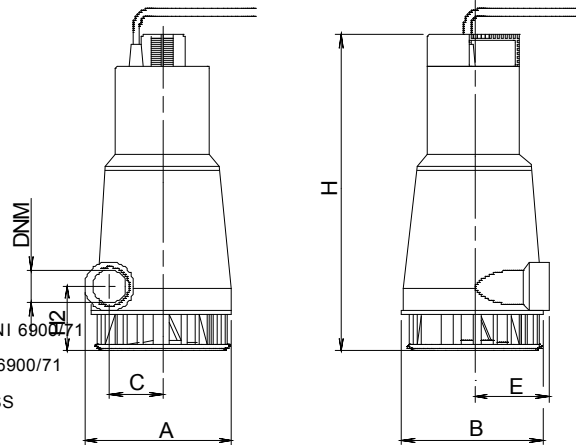
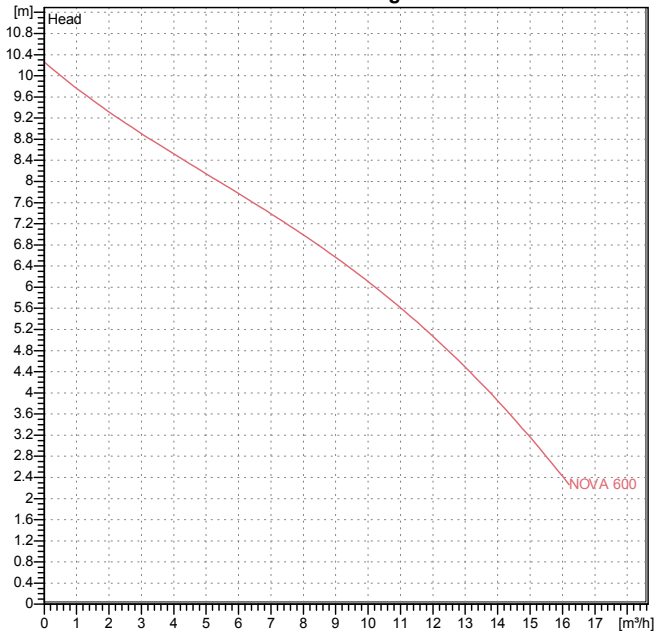
Hydraulic data (duty point)

Flow
Head

Materials :

Pump body Technopolymer
Impeller Technopolymer
OR ring Rubber NBR
Motor top body AISI 304 X5 Cr Ni 1810 UNI 6900/71
Rotor shaft AISI 416 X12 CrS 13 UNI 6900/71
Seeger ring 12E - UNI 7435 STAINLESS
Wearing disc (Only for NOVA) Technopolymer

Curve tolerance according to ISO 9906



Motor data :

Weight : 6.7 kg

Trade mark : DAB
Nominal power P2: 0.55 kW
Rated speed: 2850 1/min
Rated voltage : 1~ 0 V 50 Hz
Nominal current : 0 A
Degree of protection : IP 68

Dimension

mm

| | | | |
|-----|---------|---------|-----|
| A | 162 | H1 | 443 |
| B | 167 | H2 | 73 |
| C | 56 | LIV MAX | 390 |
| D | 296 | LIV MIN | 190 |
| DNM | 1"1/4 G | | |
| E | 90 | | |
| H | 368 | | |

Pump connection

Suction side /
Discharge side 1 " 1/4 G' --



PERFORMANCE CURVES

1/9/2012

Page 2 / 3

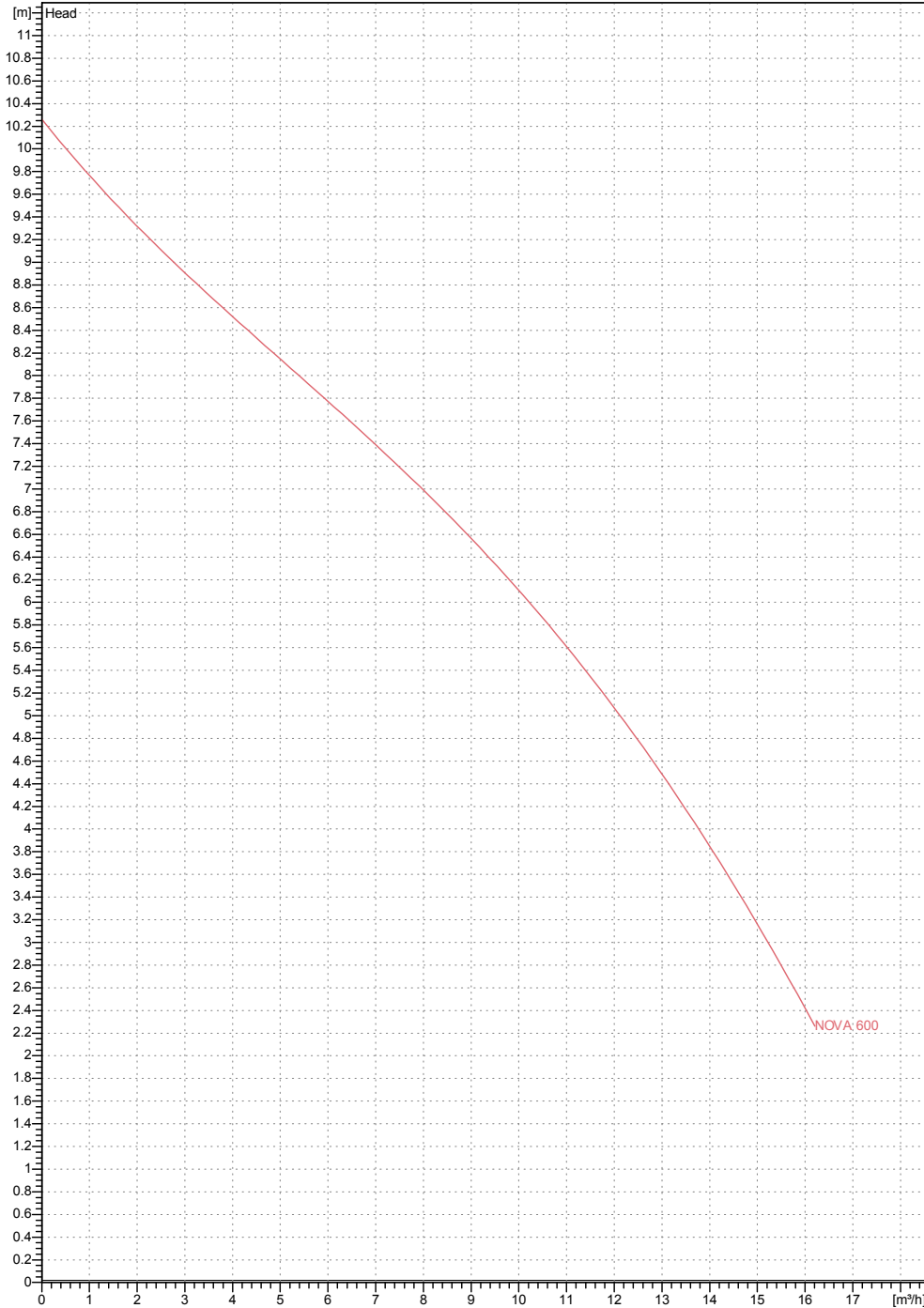
Receiver

From

Society
Reference
Address
Telephone
Fax
E-mail

NOVA 600 M-NA

Curve tolerance according to ISO 9906



Hydraulic data (duty point)

| | | | | |
|-------------------|----------------------------|----------------|-------------------------------|---------------------|
| Suction side / | Discharge side 1" 1/4 G | Flow 0 m³/h | Head 0 m | Speed 2850 1/min |
| Project | Project ID | Created by | Created on 1/9/2012 | |



DIMENSIONAL DRAWING

1/9/2012

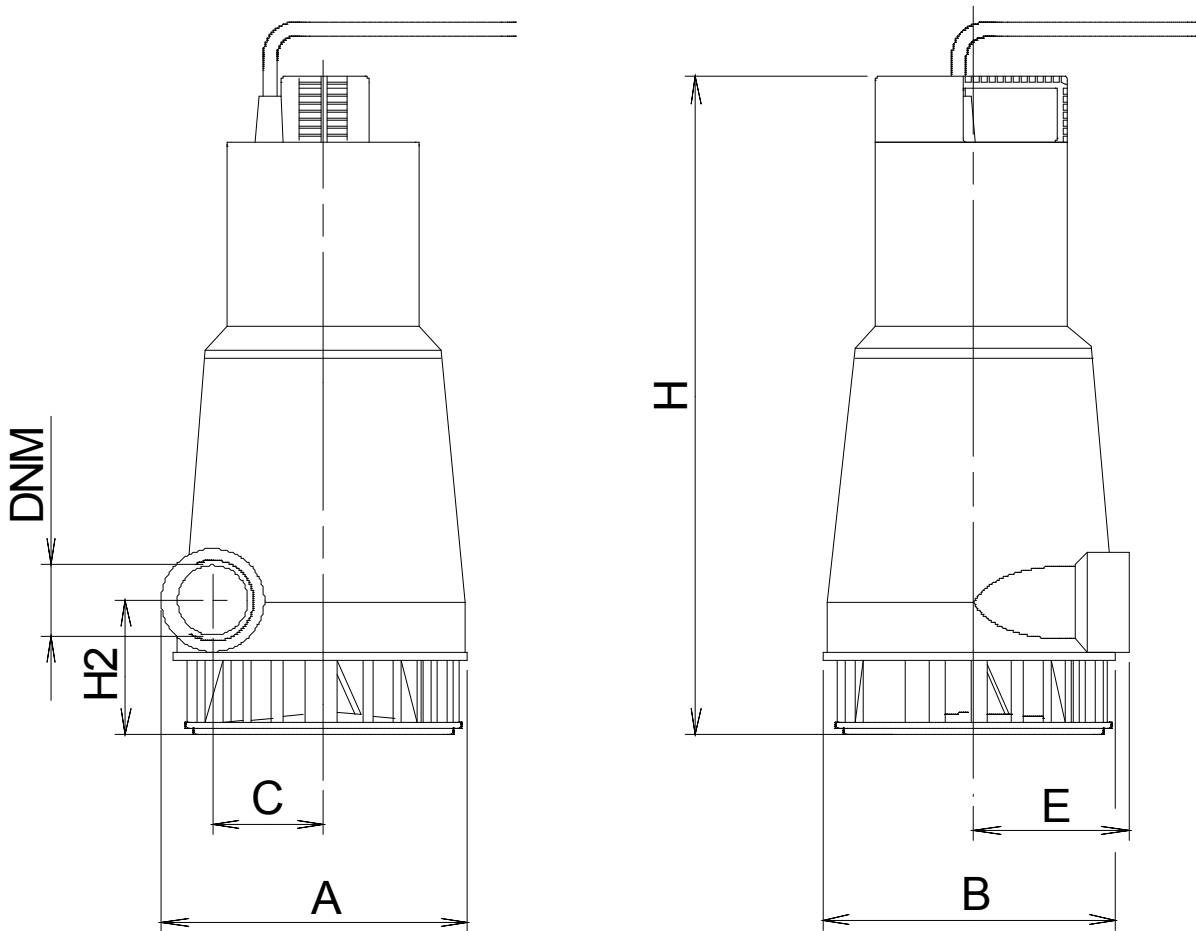
Page 3 / 3

Receiver

From

Society
Reference
Address
Telephone
Fax
E-mail

NOVA 600 M-NA



| Dimensions in mm | | | | | | | | | | Pump connection |
|------------------|---------|---------|------------|-----|--|------------|--|--|------------------------|------------------------------|
| 1 | A | 162 | LIV MIN | 190 | | | | | | Suction |
| 2 | B | 167 | | | | | | | | |
| 3 | C | 56 | | | | | | | | |
| 4 | D | 296 | | | | | | | | Discharge 1 " 1/4 G -- |
| 5 | DNM | 1"1/4 G | | | | | | | | |
| 6 | E | 90 | | | | | | | | |
| 7 | H | 368 | | | | | | | | |
| 8 | H1 | 443 | | | | | | | | |
| 9 | H2 | 73 | | | | | | | | |
| 10 | LIV MAX | 390 | | | | | | | | |
| Project | | | Project ID | | | Created by | | | Created on 1/9/2012 | |